

DrumTop Wear Part Kit 100

Tolerans is the world leader in in-line stitching. Renowned for high quality products and innovative solutions, we are dedicated to ensure you a worry-free stitching process. By using Tolerans Original Wear and Spare Parts you will gain an improved production safety and an optimum performance, ensuring a reliable stitching solution for many years to come.

Tolerans Wear Part Kits are available for our complete range of SPEEDLINER® and SPEEDLINER® 2.0 stitchers, and are designed to be replaced at certain interval points.

The Wear Part Kits enable quicker replacements with less downtime, and where applicable, all mechanical settings are pre-set when delivered. Instructions for assembly is found in original manual or maintenance instruction movies at www.tolerans.com.

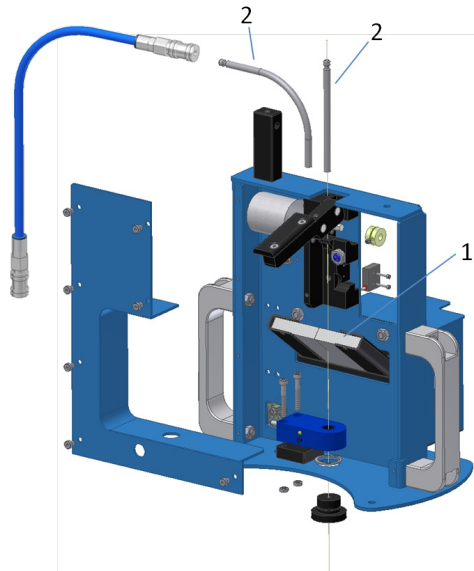
DRUMTOP KIT 100

To be replaced every 100 million copies. Consists of:

1. Felt plate
2. Wire pipe outlet straight/90°

When ordering DrumTop Kit 100, please view below list for correct part number.

Stitching points	Part no
2	01-001244
3	01-001245
4	01-001246



DELIVERY TIME

Estimate 5-10 working days

TOLERANS ORIGINAL WEAR AND SPARE PART KITS

- Stitching Cylinder
- Cutting Unit
- Feedingbox
- Wire Infeeder
- DrumTop

FOR WEAR AND SPARE PART INQUIRIES

Please contact:
spares@tolerans.com
 or call: +46 8 586 116 10