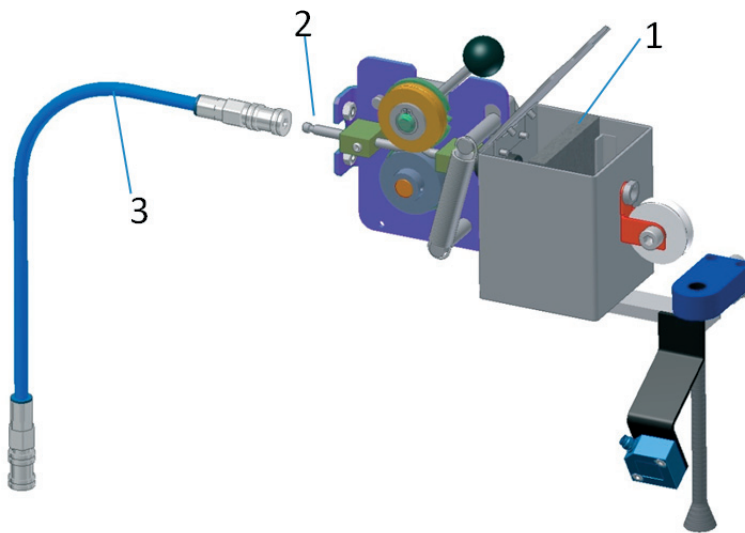


## Wire Infeeder Wear Part Kit 100

Tolerans is the world leader in in-line stitching. Renowned for high quality products and innovative solutions, we are dedicated to ensure you a worry-free stitching process. By using Tolerans Original Wear and Spare Parts you will gain an improved production safety and an optimum performance, ensuring a reliable stitching solution for many years to come.

Tolerans Wear Part Kits are available for our complete range of SPEEDLINER® and SPEEDLINER® 2.0 stitchers, and are designed to be replaced at certain interval points.

The Wear Part Kits enable quicker replacements with less downtime, and where applicable, all mechanical settings are pre-set when delivered. Instructions for assembly is found in original manual or maintenance instruction movies at [www.tolerans.com](http://www.tolerans.com).



### DELIVERY TIME

Estimate 5-10 working days

### TOLERANS ORIGINAL WEAR PART KITS

- Stitching Cylinder
- Cutting Unit
- Feedingbox
- Wire infeeder
- DrumTop

### FOR WEAR AND SPARE PART INQUIRIES

Please contact:  
[spares@tolerans.com](mailto:spares@tolerans.com)  
 or call: +46 8 586 116 10

### WIRE INFEEDER KIT 100

To be replaced every 100 million copies. Consists of:

1. Felt plate
2. Wire pipe outlet
3. Ass'y quick connection
  - 2-p blue/black
  - 3-p blue/black/red
  - 4-p blue/black/red/silver

When ordering Wire Infeeder Kit 100, please view below list for correct part number.

Stitching points	Type of unwinder	Part no
2	680012	01-001840
2	680103	01-001237
3	680103	01-001238
4	680103	01-001239