

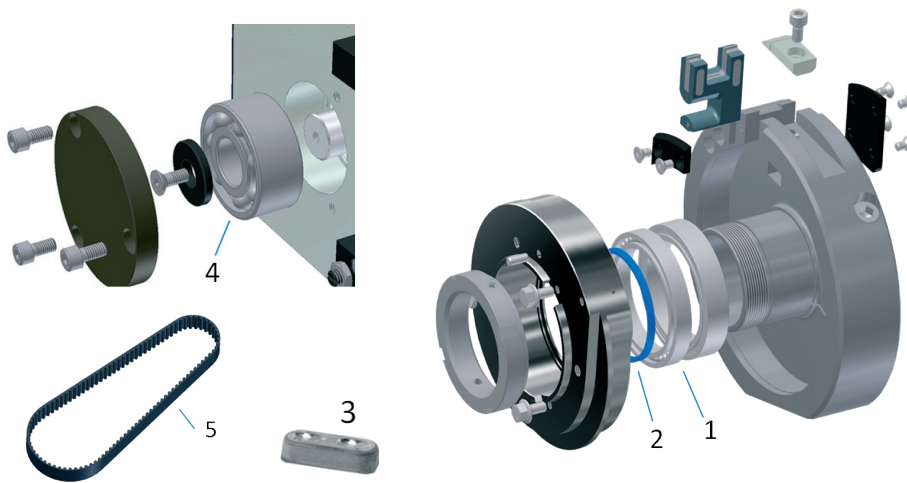
Stitching Cylinder Wear Part Kit 300

Tolerans is the world leader in in-line stitching. Renowned for high quality products and innovative solutions, we are dedicated to ensure you a worry-free stitching process.

By using Tolerans Original Wear and Spare Parts you will gain an improved production safety and an optimum performance, ensuring a reliable stitching solution for many years to come.

Tolerans Wear Part Kits are available for our complete range of SPEEDLINER® stitchers, and are designed to be replaced at certain interval points. For SPEEDLINER® 2.0 stitchers, please see separate 2.0 Wear Part Kits.

The Wear Part Kits enable quicker replacements with less downtime, and where applicable, all mechanical settings are pre-set when delivered. Instructions for assembly is found in original manual or maintenance instruction movies at www.tolerans.com.



DELIVERY TIME

Estimate 5-10 working days

TOLERANS ORIGINAL WEAR PART KITS

- Stitching Cylinder
- Cutting Unit
- Feedingbox
- Wire infeed
- DrumTop

FOR WEAR AND SPARE PART INQUIRIES

Please contact:
spares@tolerans.com
or call: +46 8 586 116 10

STITCHING CYLINDER KIT 300

To be replaced every 300 million copies.

Consists of:

1. Bearings
2. Spacer
3. Dies
4. Frame bearings
5. Drive belt (if applicable)

When ordering Stitching Cylinder Kit 300, please contact Tolerans for correct part number.